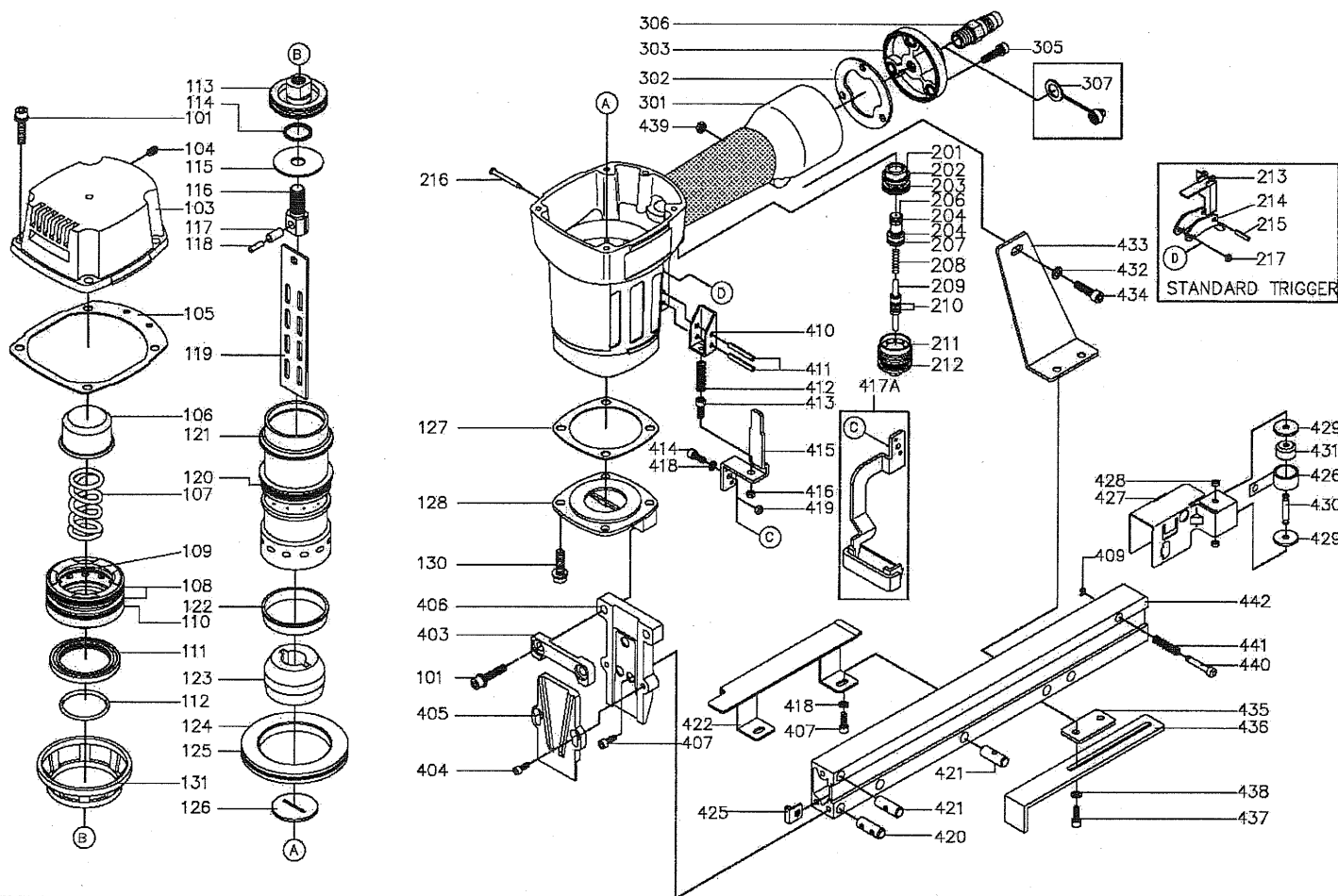
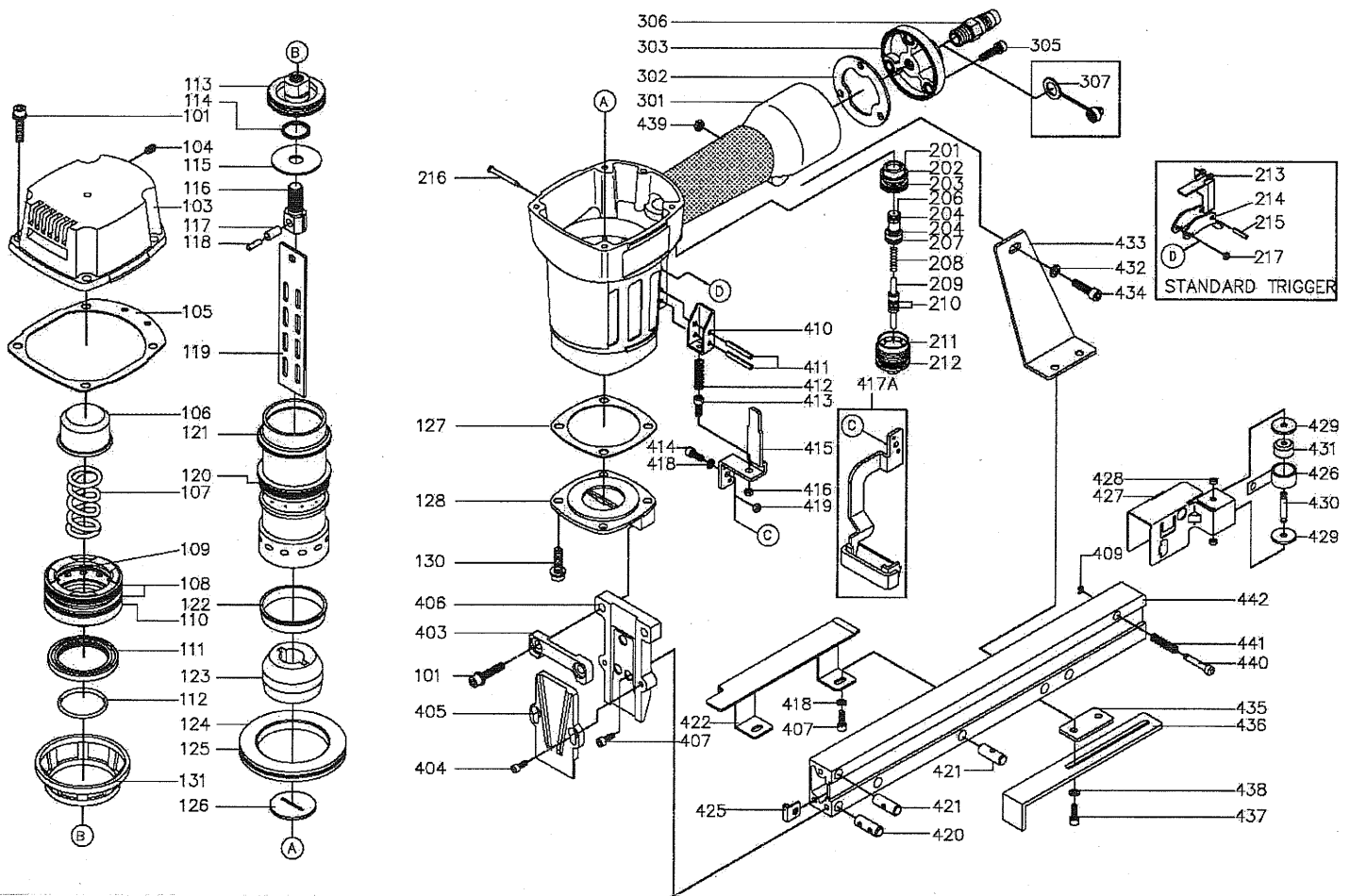


# DIAGRAM OF Decker



ITEM NO.	PART NO.	DESCRIPTION	ITEM NO.	PART NO.	DESCRIPTION	ITEM NO.	PART NO.	DESCRIPTION
101	2040100-04020-0	BOLT ASSY	207	2041100-01030-0	O - RING	420	1135M-0104701-1	SCREW FIXING SEAT B
103	11369-007C101-1	CAP	208	11376-0254701-1	SPRING	421	1135L-0104701-1	SCREW FIXING SEAT A
104	2040104-03010-0	HEX.SOC.HD.SCREW	209	11375-0250001-1	PLUNGER	422	11314-0104701-1	STAPLERS BRACKET
105	11302-0460001-2	CYLINDER CAP SEAL	210	2041102-01030-0	O - RING	425	1133D-0074701-1	SPRING RETAINER
106	11370-0460001-2	SEAL	211	11374-0254701-1	PLUNGER CAP	426	11372-0070001-1	SPRING
107	11360-0464701-3	COMPRESSION SPRING	212	2041100-02050-0	O - RING	427	11363-0104703-1	PUSHER
108	2041108-06020-0	O - RING	213	11317-0254701-1	SECONDARY TRIGGER	428	1135H-0250001-1	SHAFT RING
109	2041101-04010-0	O - RING	214	11316-0254701-1	TRIGGER	429	11381-0074701-1	WASHER
110	11368-0460001-1	HD.VALVE PISTON	215	2040400-05080-0	SPRING PIN	430	11385-0074701-1	ROLL PIN
111	11399-0460001-1	COLLAR	216	11318-0464701-1	TRIGGER PIVOT PIN	431	11386-0070001-1	ROLLING ELEMENT
112	2041100-04010-0	O - RING	217	1131D-0460001-1	URETHANE RETAINER	432	2040202-03010-0	FLAT WASHER
113	11349-0100001-1	MAIN PISTON	301	11230-0098401-1	GUN BODY UNIT	433	11323-0104703-1	BRACKET
114	2041102-02040-0	O - RING	302	1132H-0250001-2	GASKET	434	2040101-03080-0	HEX.SOC.HD.BOLT
115	1130F-0104701-0	LOWER WASHER	303	11346-0254304-1	END CAP	435	11380-0104701-1	GASKET
116	1134S-0104701-1	FIRING PIN DRAWBAR	305	2040100-03030-0	BOLT ASSY	436	1130Y-0104702-1	POISE FINDER RANGE
117	11329-0564701-1	PIN	306	1135V-0000003-1	AIR PLUG	437	2040101-02100-0	HEX.SOC.HD.BOLT
119	11387-0104703-1	DRIVER	307	1132L-0014701-1	DUSTY COVER	438	2040202-02010-0	FLAT WASHER
120	2041102-05010-0	O - RING	403	11353-0104701-1	DRIVER GUIDE COVER B	439	2040500-03020-0	LOCK NUT
121	11320-0070002-1	CYLINDER	404	2040101-03050-2	HEX.SOC.HD.BOLT	440	11310-0104701-1	DOOR LATCH
122	11322-0250001-1	CYLINDER RING	405	11352-0104702-1	DRIVER GUIDE COVER A	441	11311-0104701-1	LATCH SPRING
123	11327-0100002-1	BUMPER	406	11303-0104703-1	DRIVER GUIDE	442	2040302-23010-0	E - RING
124	11321-0070001-1	CYLINDER SPACER	407	2040101-02070-0	HEX.SOC.HD.BOLT			
125	2041102-08020-0	O - RING	409	11389-0100003-1	MAGAZINE A			
126	11388-0104701-1	DRIVER GUIDE	410	11338-0254701-1	SAFETY GUIDE			
127	1130B-0460001-2	GASKET	411	2040400-05130-0	SPRING PIN			
128	11326-0074702-1	BASE	412	11337-0104701-1	SAFETY SPRING			
130	2040100-04010-2	BOLT ASSY	413	2040101-01030-0	HEX.SOC.HD.BOLT			
131	1131E-0250001-1	CYLINDER PRESS RING	414	2040101-02060-0	HEX.SOC.HD.BOLT			
201	2041100-02020-0	O - RING	415	11332-0074701-1	SAFETY B			
202	11373-0250001-1	TRIGGER VALVE HEAD	416	2040500-01010-0	LOCK NUT			
203	2041109-02010-0	O - RING	417A	11254-0100001-1	SAFETY A UNIT			
204	2041100-01070-0	O - RING	418	2040201-02030-0	FLAT WASHER			
206	1133S-0250001-1	VALVE PLUNGER	419	2040500-02010-0	LOCK NUT			

# DIAGRAM OF Decker



ITEM NO.	PART NO.	DESCRIPTION	ITEM NO.	PART NO.	DESCRIPTION	ITEM NO.	PART NO.	DESCRIPTION
101	2040100-04020-0	BOLT ASSY	207	2041100-01030-0	O - RING	420	1135M-0104701-1	SCREW FIXING SEAT B
103	11369-007C101-1	CAP	208	11376-0254701-1	SPRING	421	1135L-0104701-1	SCREW FIXING SEAT A
104	2040104-03010-0	HEX.SOC.HD.SCREW	209	11375-0250001-1	PLUNGER	422	11314-0104701-1	STAPLERS BRACKET
105	11302-0460001-2	CYLINDER CAP SEAL	210	2041102-01030-0	O - RING	425	1133D-0074701-1	SPRING RETAINER
106	11370-0460001-2	SEAL	211	11374-0254701-1	PLUNGER CAP	426	11372-0070001-1	SPRING
107	11360-0464701-3	COMPRESSION SPRING	212	2041100-02050-0	O - RING	427	11363-0104703-1	PUSHER
108	2041108-06020-0	O - RING	213	11317-0254701-1	SECONDARY TRIGGER	428	1135H-0250001-1	SHAFT RING
109	2041101-04010-0	O - RING	214	11316-0254701-1	TRIGGER	429	11381-0074701-1	WASHER
110	11368-0460001-1	HD.VALVE PISTON	215	2040400-05080-0	SPRING PIN	430	11385-0074701-1	ROLL PIN
111	11399-0460001-1	COLLAR	216	11318-0464701-1	TRIGGER PIVOT PIN	431	11386-0070001-1	ROLLING ELEMENT
112	2041100-04010-0	O - RING	217	1131D-0460001-1	URETHANE RETAINER	432	2040202-03010-0	FLAT WASHER
113	11349-0100001-1	MAIN PISTON	301	11230-0098401-1	GUN BODY UNIT	433	11323-0104703-1	BRACKET
114	2041102-02040-0	O - RING	302	1132H-0250001-2	GASKET	434	2040101-03080-0	HEX.SOC.HD.BOLT
115	1130F-0104701-1	LOWER WASHER	303	11346-0254304-1	END CAP	435	11380-0104701-1	GASKET
116	1134S-0104701-1	FIRING PIN DRAWBAR	305	2040100-03030-0	BOLT ASSY	436	1130Y-0104702-1	POISE FINDER RANGE
117	11329-0564701-1	PIN	306	1135V-0000003-1	AIR PLUG	437	2040101-02100-0	HEX.SOC.HD.BOLT
119	11387-0104703-1	DRIVER	307	1132L-0014701-1	DUSTY COVER	438	2040202-02010-0	FLAT WASHER
120	2041102-05010-0	O - RING	403	11353-0104701-1	DRIVER GUIDE COVER B	439	2040500-03020-0	LOCK NUT
121	11320-0070002-1	CYLINDER	404	2040101-03050-2	HEX.SOC.HD.BOLT	440	11310-0104701-1	DOOR LATCH
122	11322-0250001-1	CYLINDER RING	405	11352-0104702-1	DRIVER GUIDE COVER A	441	11311-0104701-1	LATCH SPRING
123	11327-0100002-1	BUMPER	406	11303-0104703-1	DRIVER GUIDE	442	2040302-23010-0	E - RING
124	11321-0070001-1	CYLINDER SPACER	407	2040101-02070-0	HEX.SOC.HD.BOLT			
125	2041102-08020-0	O - RING	409	11389-0100003-1	MAGAZINE A			
126	11388-0104701-1	DRIVER GUIDE	410	11338-0254701-1	SAFETY GUIDE			
127	1130B-0460001-2	GASKET	411	2040400-05130-0	SPRING PIN			
128	11326-0074702-1	BASE	412	11337-0104701-1	SAFETY SPRING			
130	2040100-04010-2	BOLT ASSY	413	2040101-01030-0	HEX.SOC.HD.BOLT			
131	1131E-0250001-1	CYLINDER PRESS RING	414	2040101-02060-0	HEX.SOC.HD.BOLT			
201	2041100-02020-0	O - RING	415	11332-0074701-1	SAFETY B			
202	11373-0250001-1	TRIGGER VALVE HEAD	416	2040500-01010-0	LOCK NUT			
203	2041109-02010-0	O - RING	417A	11254-0100001-1	SAFETY A UNIT			
204	2041100-01070-0	O - RING	418	2040201-02030-0	FLAT WASHER			
206	1133S-0250001-1	VALVE PLUNGER	419	2040500-02010-0	LOCK NUT			