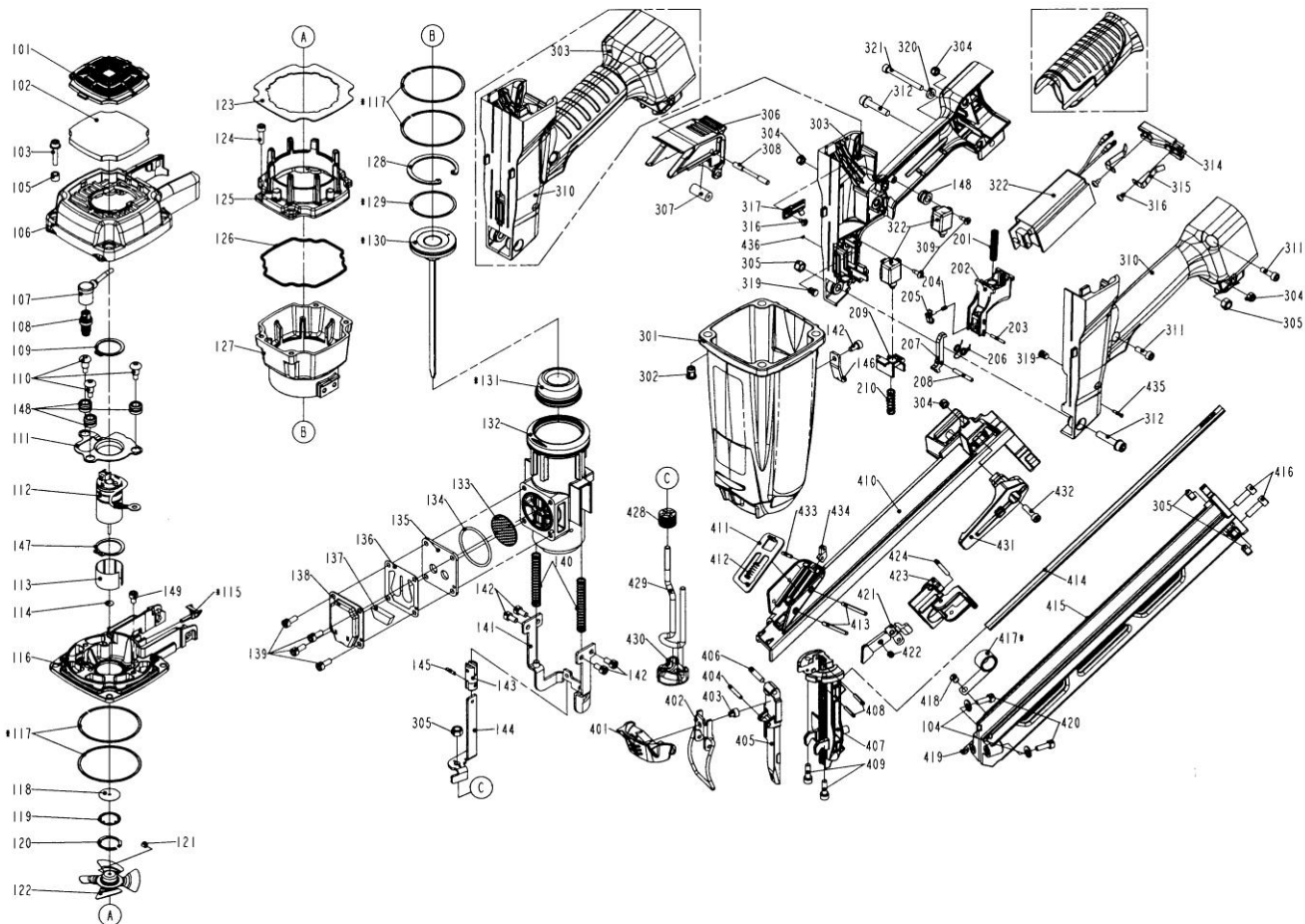


# DIAGRAM OF B.PRO ND34/64 FINISHER GAS



ITEM NO.	PART NO.	DESCRIPTION	ITEM NO.	PART NO.	DESCRIPTION	ITEM NO.	PART NO.	DESCRIPTION
101	11371-0084705-1	DEFLECTOR	139	2040101-02040-2	HEX.SOC.HD.BOLT	320	2040201-02070-0	FLAT WASHER
102	1137N-0084701-1	FILTER	140	11337-0084704-1	SAFETY SPRING	321	2040101-02140-0	HEX.SOC.HD.BOLT
103	2040100-02160-0	BOLT W/FLAT WASHER	141	11257-0084712-1	SAFETY C UNIT	322	1120G-0080004-2	PCB ASSEMBLY
104	2040202-02020-0	FLAT WASHER	142	2040101-02030-2	HEX.SOC.HD.BOLT	401	1137A-0464701-1	COVER-SAFETY
105	1136P-0084701-1	COLLOR	143	1137G-0084702-1	LINK ROD	402	11244-0464703-1	LOCK HANDLE UNIT
106	11369-0085102-1	CAP	144	11332-0464711-1	SAFETY B	403	2040101-02010-0	HEX.SOC.HD.BOLT
107	11216-0080001-4	HIGH VOLTAGE CABLE SET	145	2040401-04050-0	SPIRAL PINS	404	2040400-05100-0	SPRING PIN
108	1120D-0084701-1	SPARKLER UNIT	146	1131A-0084702-1	MOTOR FAN SWITCH LEVER	405	11352-0464710-1	DRIVER GUIDE COVER A
109	2040301-17010-0	C - RING	147	2040301-25010-0	C - RING	406	2040403-07100-0	PIN
110	1131R-0084701-1	SCREW	148	1134W-0084701-2	FEED BUMPER	407	11303-0464712-1	BACK PLATE (DRIVER GUIDE)
111	11323-0084714-2	FAN MOTOR BRACKET	149	2040101-02020-5	HEX.SOC.HD.BOLT	408	2040400-04080-0	SPRING PIN
112	1120N-0080008-1	MOTOR UNIT	201	11319-0084701-1	SPRING	409	2040100-02090-2	BOLT ASSY
113	11398-1150002-1	SLEEVE MOTOR	202	11316-1394701-1	TRIGGER	410	11391-0464707-1	MAGAZINE UNIT B
114	11380-1150001-1	WASHER-MOTOR SHAFT	203	2040403-03080-0	PIN	411	1136Y-0464701-1	BRACKET
115	113A6-1153901-3	FUEL STEM ADAPTER	204	1138J-0394701-1	GUIDE LOCATING SPRING	412	1133C-0814701-1	STOPPER FINGER SPRING
116	1139U-0080003-1	END CAP-COMBUSTION CH	205	11305-1394701-1	STOPPER	413	2040400-05160-0	SPRING PIN
117	11350-0084701-1	PISTON RING-CYLINDER	206	11315-0080001-1	SPRING	414	11396-0464705-1	STEEL CHANNEL
118	1136X-1150001-1	SEAL	207	11335-1394702-1	SAFETY	415	11389-0464709-1	MAGAZINE A
119	11323-1150003-1	SEAL PLATE-MOTOR	208	2040403-05110-0	PIN	416	2040101-03070-0	HEX.SOC.HD.BOLT
120	2040303-35010-0	IN-CONCENTRIC RING	209	1137F-0084701-1	LINK-BLOCK	417	11372-0460002-1	SPRING
121	2040104-02010-2	HEX.SOC.HD.SCREW	210	1137T-0084701-1	SPRING	418	1134L-0084701-1	BRACKET
122	1120C-0080001-1	COOLING FAN ASSEMBLY	301	11384-008A301-1	GUN BODY	419	2040302-23010-0	E - RING
123	1133X-0084705-1	SPACER	302	11398-0080008-1	CAP NUT	420	2040101-02060-0	HEX.SOC.HD.BOLT
124	2040101-02070-2	HEX.SOC.HD.BOLT	303	11233-0084707-1	HANDLE A UNIT	421	11363-0464710-1	PUSHER
125	113AE-0080001-2	UPPER COMBUSTION CHAMBER	304	2040500-02020-0	LOCK NUT	422	1138H-0460003-1	PUSHER SPRING
126	1132M-0084704-1	PACKING	305	2040500-03010-0	LOCK NUT	423	1136E-0084706-1	PROTECTING HOOD COVER
127	1139V-0080001-1	COMBUSTION CHAMBER	306	113A7-0084701-2	FUEL ACTUATOR	424	2040400-05110-0	SPRING PIN
128	2040300-06010-0	C - RING	307	11398-1154701-1	BUSH-FUEL ACTUATOR	428	11393-0464704-1	ADJUST AXIE
129	11350-0084702-1	PISTON RING	308	11325-1154702-1	PIN-FUEL ACTUATOR	429	11331-0464702-1	SAFETY A
130	11204-0460020-1	DRIVER UNIT	309	2040107-01120-0	TAP BOLT	430	11339-0464704-2	PROTECTIVE CASING
131	11327-0084703-1	BUMPER	310	11233-0084708-1	HANDLE B UNIT	431	1133D-1044701-1	SPRING RETAINER
132	11320-0460010-1	CYLINDER	311	2040101-02070-0	HEX.SOC.HD.BOLT	432	2040101-02090-0	HEX.SOC.HD.BOLT
133	1139W-0460001-1	EXHAUST MESH PLATE	312	2040100-03130-0	BOLT W/FLAT WASHER	433	2040400-04060-0	SPRING PIN
134	2041102-04041-0	O - RING	314	1136H-1154701-1	BATTERY NODE BRACKET	434	1137F-0464701-1	LINK-BLOCK A
135	113A0-0080001-1	EXHAUST BAFFLE	315	113A8-1150001-1	BATTERY NODE	435	11324-0084707-1	FIXED PIN
136	1139X-0080001-1	REED VALVE	316	2040107-01040-0	TAP BOLT	436	2040302-29020-0	E - RING
137	1139L-0080002-1	CLEANER B	317	11323-0464704-1	WIRE HARNESS PLATE			
138	113A3-0080001-1	DEFLECTOR	319	113AP-1150001-1	LED COVER			