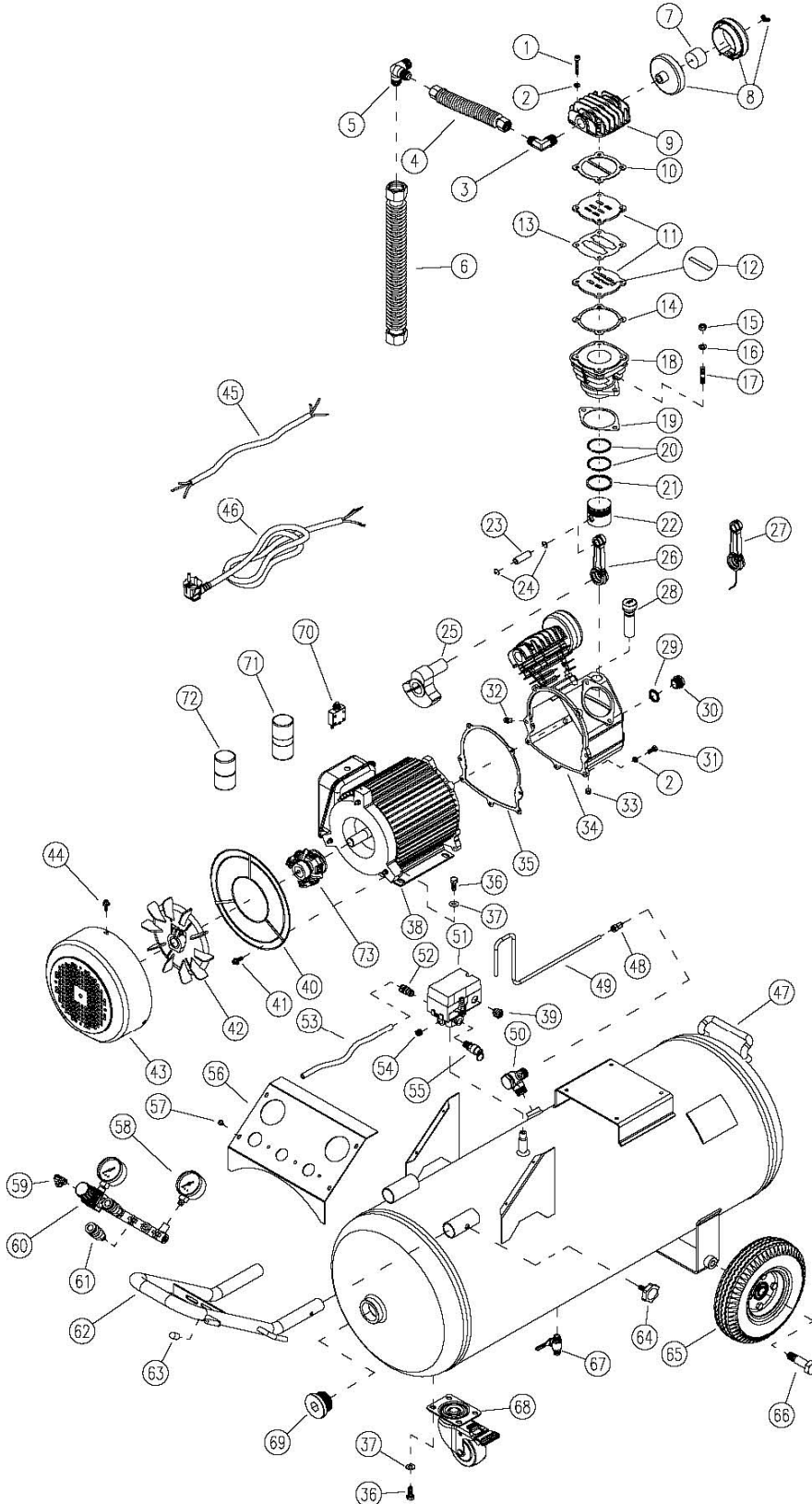


KOMPRESOR PUMPER 433-100

INDEX:433-100



REF. NO.	DESCRIPTION	PART NO.	QTY
1	In six-angle bolt	352087	8
2	Spring washer	382004	15
3	Exhaust elbow	151404	1
4	Exhaust tube set	230036S	1
5	Three way	152401	1
6	Exhaust tube set	230076S	1
7	Air filter(element only)	171002	2
8	Air filter	170006	2
9	Cylinder head	101001	2
10	Cylinder head packing	211011	2
11	Inlet & Exhaust valve seat	104005	4
12	Inlet & Exhaust valve plate	125004	4
13	Inlet & Exhaust valve seat packing	212006	2
14	Valve seat packing	213017	2
15	Set nut	371005	4
16	Spring washer	382005	4
17	Double head screw	358001	4
18	Cylinder	201013	2
19	Cylinder packing	214010	2
20	Compression ring	206002	4
21	Oil control ring	207002	2
22	Piston	203002	2
23	Piston pin	204002	2
24	Piston pin snap ring	205001	4
25	Crankshaft	302003	1
26	Rod	316017	1
27	Rod	316018	1
28	Air flue oil filling assembly	324001	1
29	Oil gauge packing	217001	1
30	Oil gauge	321001	1
31	Out six-angle bolt	351043	7
32	Oil draining plug	360001	1
33	Plug	360013	1
34	Crankcase	301003	1
35	Front cover packing	215002	1
36	Out six-angle bolt	351071	8
37	Plate washer	381041	8
38	Motor	251413	1
39	Strain Relief Clip	457002	2
40	safety net	424015	1
41	flange cross bolt	354002	3
42	Radiation fan	431002	1
43	Motor cover	432002	1
44	flange cross bolt	354006	3
45	Cable wire	453002	1
46	Power wire	452024	1
47	Air tank	401102CE	1
48	Unloading elbow	151002	1
49	Unloading tube assembly (1/4")	228086	1
50	Check valve	409004	1
51	Pressure switch	412018	1
52	Nipple	150202	1
53	Unloading tube	247040	1
54	Plug	360011	1
55	Safety valve	407006	1
56	Control panel	488020	1
57	Round-head bolt	365003	7
58	Pressure gauge	411043-1	2
59	Elbow	151209	1
60	Regulator valve	410014	1
61	Quick Coupler	447015	2
62	handle	488016	1
63	Cup	439008	2
64	Out six-angle bolt	351901	2
65	Tank wheel	402007	2
66	Tank wheel bolt	351304	2
67	Drain cock	413008	1
68	Activity wheel	402018	1
69	Plug	360005	2
70	Overload switch	458001	1
71	Start capacitor	460011	1
72	Run capacitor	462014	1
73	Centrifugal switch	459016	1