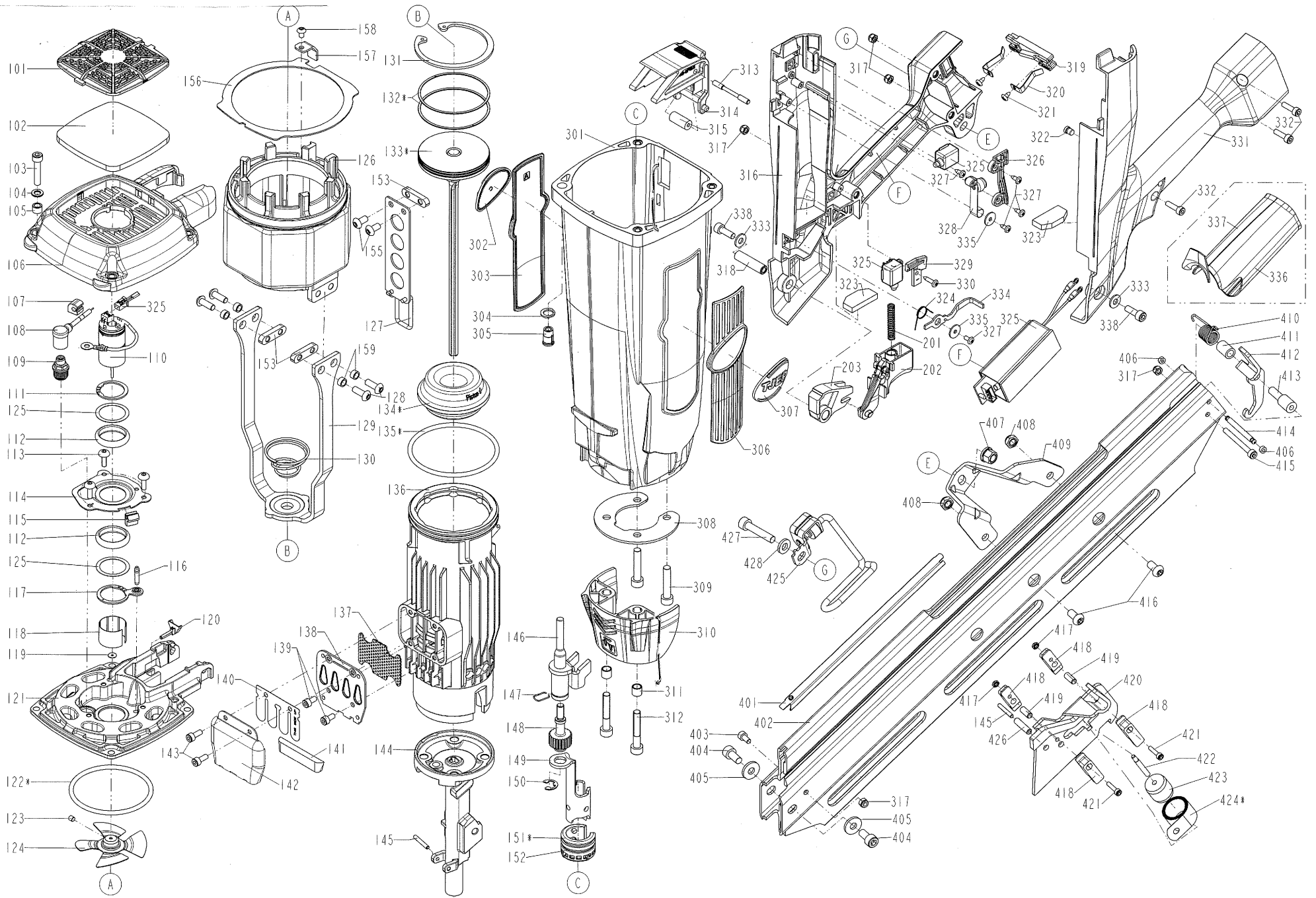


B.PRO ND105 WOODY



Accessories

ITEM NO.	PART NO.	DESCRIPTION	ITEM NO.	PART NO.	DESCRIPTION
101	11371-1154705-1	DEFLECTOR	136	11320-0870001-1	CYLINDER
102	1137N-1150001-1	FILTER	137	1139W-1150001-2	EXHAUST MESH PLATE
103	2040101-03110-0	HEX.SOC.HD.BOLT	138	113A0-1150001-1	EXHAUST BAFFLE
104	2040201-03050-0	FLAT WASHER	139	2040101-02030-5	HEX.SOC.HD.BOLT
105	1136P-1154701-1	COLLOR	140	1139X-1150001-2	REED VALVE
106	11369-087A201-1	CAP	141	1139L-1150001-1	CLEANER
107	1136H-1154705-1	RAFT HOOK BRACKET	142	113A3-1150001-1	DEFLECTOR
108	11216-0870001-1	HIGH VOLTAGE CABLE SET	143	2040101-02040-5	HEX.SOC.HD.BOLT
109	1120D-1154701-1	SPARKLER	144	11382-0874704-1	NOSE PIECE
110	1120N-1150005-1	MOTOR UNIT	145	2040400-05100-0	SPRING PIN
111	2040304-53010-0	EX-CONCENTRIC RING	146	11256-0874702-1	SAFETY B UNIT
112	1134W-0874701-1	FEED BUMPER	147	1131C-0830001-1	RING
113	2040102-02200-5	HALF ROUND HD.HEX.BOLT	148	11249-0640001-1	ADJUST AXIE UNIT
114	1131J-0870001-1	POSITIONING SHEET	149	11331-0874703-1	SAFETY A
115	1136H-1154704-1	GROUND WIRE BRACKET	150	2040302-26010-0	E - RING
116	113CK-0874701-1	POSITIONING SHAFT	151*	11339-0644702-1	PROTECTIVE CASING
117	1131C-1154704-1	RING A	152	1131G-0374702-1	FIXED RING
118	11398-1150002-1	SLEEVE MOTOR	153	11380-0874701-1	GASKET
119	11380-1150001-1	WASHER-MOTOR SHAFT	155	2040102-03020-2	HALF ROUND HD.HEX.BOLT
120	113A6-1150501-1	FUEL STEM ADAPTER	156	1133X-0874701-1	SPACER
121	1139U-0870001-1	END CAP-COMBUSTION CHAMBER	157	1135B-0870001-1	GUIDE
122*	2041104-07071-0	O - RING	158	2040102-02060-2	HALF ROUND HD.HEX.BOLT
123	2040104-02010-5	HEX.SOC.HD.SCREW	159	11398-0874701-1	LATCH SPRING BUSHING
124	1120C-1150001-2	COOLING FAN ASSEMBLY	201	11319-1154701-1	SPRING
125	11380-0870002-1	WASHER-MOTOR SHAFT	202	11224-0874701-1	TRIGGER UNIT
126	1139V-0870001-1	COMBUSTION CHAMBER	203	1136M-0874701-1	SAFETY STOPPER
127	1121P-0874701-1	PUSHING UNIT	301	11384-0874701-1	GUN BODY
128	2040102-03040-2	HALF ROUND HD.HEX.BOLT	302	1135R-115A201-1	PROTECTIVE CUSHION C
129	11330-0874701-1	SAFETY C	303	1135R-1154702-1	PROTECTIVE CUSHION A
130	11337-0870001-1	SAFETY SPRING	304	11380-1154702-1	WASHER CAP
131	2040300-20010-0	C - RING	305	11398-1150001-1	CAP NUT
132*	11350-0870001-1	PISTON RING	306	1135R-1154703-1	PROTECTIVE CUSHION B
133*	11204-0870007-1	DRIVER UNIT	307	1135R-115A202-1	PROTECTIVE CUSHION D
134*	11327-0874701-1	BUMPER	306	1135R-1154703-1	PROTECTIVE CUSHION B
135*	2041101-07020-0	O - RING	307	1135R-115A202-1	PROTECTIVE CUSHION D

* Easily worn spare parts

ITEM NO.	PART NO.	DESCRIPTION	ITEM NO.	PART NO.	DESCRIPTION
308	11323-0874706-1	CYLINDER BRACKET	405	2040202-04010-0	FLAT WASHER
309	2040101-04110-2	HEX.SOC.HD.BOLT	406	1135H-0250001-1	SHAFT RING
310	1137A-0874702-1	SAFETY COVER	407	2040501-04010-0	BOLT CAP
311	11398-0854701-1	LATCH SPRING BUSHING	408	2040500-04010-0	LOCK NUT
312	2040101-04121-2	HEX.SOC.HD.BOLT	409	11323-0874705-1	POSITIONING SHEET
313	11325-1154702-1	PIN-FUEL ACTUATOR	410	1132F-0354701-1	LATCH SPRING
314	113A7-1154701-1	FUEL ACTUATOR	411	11398-0350001-1	LATCH SPRING BUSHING
315	11398-1154701-1	BUSH-FUEL ACTUATOR	412	11343-0354701-1	LATCH
316	1137K-0874701-1	HANDLE A	413	1133V-0354702-1	MAGAZINE SPACER
317	2040500-02010-0	LOCK NUT	414	1132E-0374701-1	LATCH PIN
318	11325-0874701-1	HANDLE BOLT	415	2040101-02141-0	HEX.SOC.HD.BOLT
319	1136H-1154701-1	BATTERY NODE BRACKET	416	2040102-04010-0	HALF ROUND HD.HEX.BOLT
320	113A8-1150001-1	BATTERY NODE	417	2040500-01010-0	LOCK NUT
321	2040107-01040-0	TAP BOLT	418	1133W-0370001-3	PUSHER BEARING
322	113AP-1150001-1	LED COVER	419	11329-0354701-1	PIN
323	1138W-1150001-1	SPACER	420	11363-0874701-1	PUSHER
324	11315-1154701-1	SPRING A	421	2040101-01020-0	HEX.SOC.HD.BOLT
325	1120G-0870001-1	PCB ASSEMBLY	422	11385-0604701-1	ROLL PIN
326	11323-1154706-1	BRACKET UNIT	423	11386-0370001-1	ROLLING ELEMENT
327	2040108-01020-5	SELF TAPPING BOLT	424*	11372-0350002-1	SPRING
328	1120R-1150001-1	MOTOR FAN SWITCH LEVER UNIT	425	11285-1154701-1	SPRING RETAINER UNIT
329	11323-1154707-1	WIRE GUIDE B	426	2040400-08100-0	SPRING PIN
330	2040108-01040-6	SELF TAPPING BOLT	427	2040101-04110-0	HEX.SOC.HD.BOLT
331	1137K-0874702-1	HANDLE B	428	2040201-04010-0	FLAT WASHER
332	2040101-02070-0	HEX.SOC.HD.BOLT			
333	2040201-03040-0	FLAT WASHER			
334	1137G-1154701-1	LINK ROD			
335	2040201-01040-0	FLAT WASHER			
336	1133P-0874702-1	LEFT HANDLE GRIP			
337	1133P-0874701-1	RIGHT HANDLE GRIP			
338	2040101-03050-2	HEX.SOC.HD.BOLT			
401	11396-0644709-1	STEEL CHANNEL			
402	11389-0874701-1	MAGAZINE A			
403	2040101-02030-0	HEX.SOC.HD.BOLT			
404	2040101-04020-0	HEX.SOC.HD.BOLT			

* Easily worn spare parts