

Pneumatic Nailer Type 550 DC

The BeA 550 DC is a light weight and well balanced tool, that drives wire welded roundhead nails in the length from 30 to 55 mm. The comfortable rubber grip and the adjustable exhaust make the tool operator friendly.



Popular applications:

Siding, fencing, pallets, cases, sheathing, sub flooring.

Length: 293 mm
Width: 130 mm
Height: 270 mm

Technical data

Type description:	550 DC Contact
Article code:	12100010
Magazine type :	Coil magazine / top loader
Safety:	Contact actuation
Fastener type:	BDC
Magazine capacity:	1 coil
Nails per Coil:	Ø 2,1 = 1 x 300 Ø 2,4 = 1 x 300
Operating pressure:	5 – 8 bar
Max. operating pressure:	8 bar
Air consumption/operation:	1,5 litres / 6 bar
Inner hose diameter:	Ø 9 mm LW recommended
Emission sound pressure level at the workstation:	L pA, 1s, d= 88 dB
Single-shot emission sound pressure level:	L WA, 1 s,d= 95 dB
Weight:	2,55 kg

The vibration as per document no. CEN/TC 255 WG 1 N 47.3 is 2,86 m/s²

Extras supplied with the nailer: Operating instructions, spare parts list, service instructions, silencer.

Subject to technical modifications.

Accessories:

Article code	Description
14403543	Mounting flange
14403430	Remote valve (only in combination with mounting flange)
14405421	Nail support, steel
14500548	Exhaust set
14500531	Single actuation set

All BeA pneumatic tools can be jig-mounted
We supply the necessary accessories and equipments.



This tool conforms to the EG Directive
for Machinery (89/392 EWG)

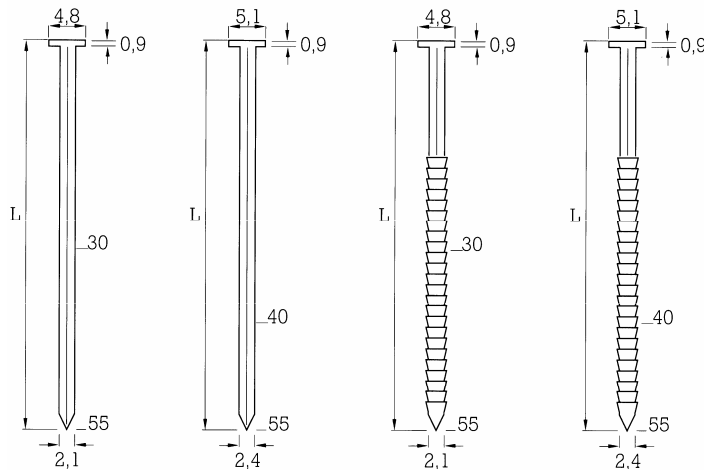
Pneumatic Nailer Type 550 DC



BeA Deutschland
Befestigungstechnik
P.O.Box 14 80
D-22904 Ahrensburg
Phone: +49 (0) 4102 78-0
Fax: +49 (0)4102 78-250
www.bea-group.com
e-mail: info@bea-group.com

BDC – nails (wire welded nails)

a division of
Joh. Friedrich Behrens AG



Description	L = Length mm
BDC 2,1 x 30 BK	30
BDC 2,1 x 35 BK	35
BDC 2,1 x 40 BK	40
BDC 2,1 x 45 BK	45
BDC 2,1 x 50 BK	50
BDC 2,1 x 55 BK	55

BDC 2,4 x 40 BK	40
BDC 2,4 x 45 BK	45
BDC 2,4 x 50 BK	50
BDC 2,4 x 55 BK	55

Nails are also available in NK (galvanized steel), NR (stainless steel) and with ring shank on request.

Explanations:

NK = galvanized steel	BK = bright steel	LM = aluminium	HZ = resin coated
NKS = galvanized steel, extra hard	BKS = bright steel, extra hard	NR = stainless steel, material. 1.4401	DP = divergent point
NKH = galvanized steel, hard	MS = brass	RF = rust resistant, material 1.4301	SA = step cut