



BeA Automated Fastening Systems

Products and solutions for every situation



BeA Automated Fastening Systems

Products, solutions, service

Designed specifically for industrial applications that require stationary fastening, the innovative BeA modular-tool system offers solutions demanded by manufacturers of modern machines and equipment.

From automated packaging to single-unit fabrication to mass production – BeA Automated Fastening Systems always offer a customized solution. Prefabricated houses, furniture, automotive, appliances and packaging are some of the industries in which BeA Automated Fastening Systems have been implemented successfully.

BeA Automated Fastening Systems represent:

- Highest product quality
- Wide variety of modules ready for customization and system upgrade

- Process reliability
- Longevity
- Continuity
- Long-term part availability
- Global support and service

Streamline and optimize processes with stationary fastening to:

- Increase productivity
- Decrease manufacturing cost
- Improve quality
- Reduce staff work-load
- Enhance flexibility
- Shorten change-over time
- Minimize maintenance

BeA Automated Fastening Systems allow you to combine four critical elements: fasteners, stapler heads, magazines and accessories; to produce a customized low-cost solution specifically designed to your application and on-site needs.



BeA modular-tool long-magazine 235 / 245 / 265 / 285
Magazine capacity: 300 – 500 fasteners (approx.)
Leg lengths: 4 – 130 mm

- Placement and stapling possible in any position and orientation
- Various leg lengths can be loaded without further adjustments
- Electronic placement and magazine-supervision
- High speed fastening – frequency up to twelve cycles per second
- Multiple mounting options facilitate installation

Applications: prefabricated houses, window and door-frames, packaging, furniture, pallets and crates

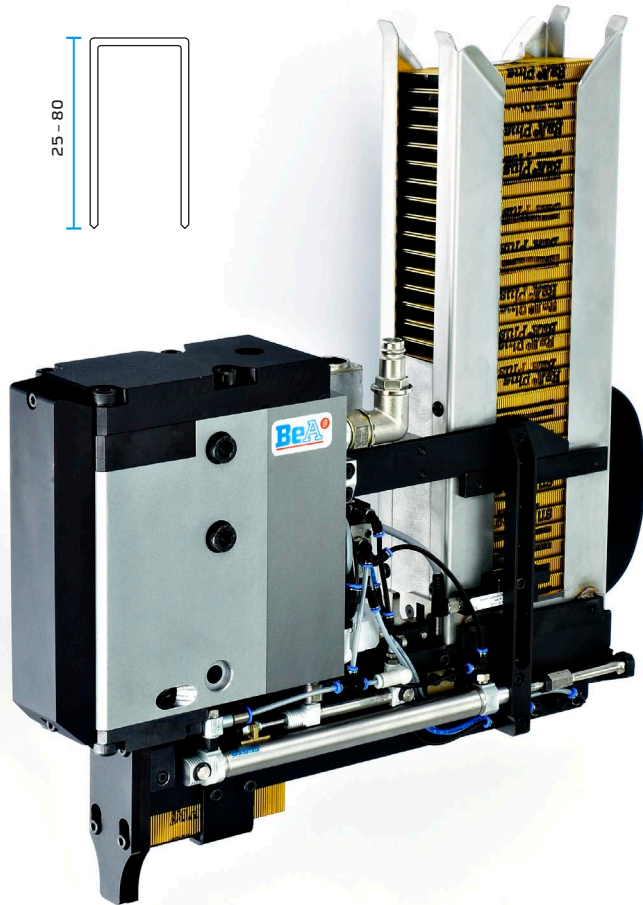
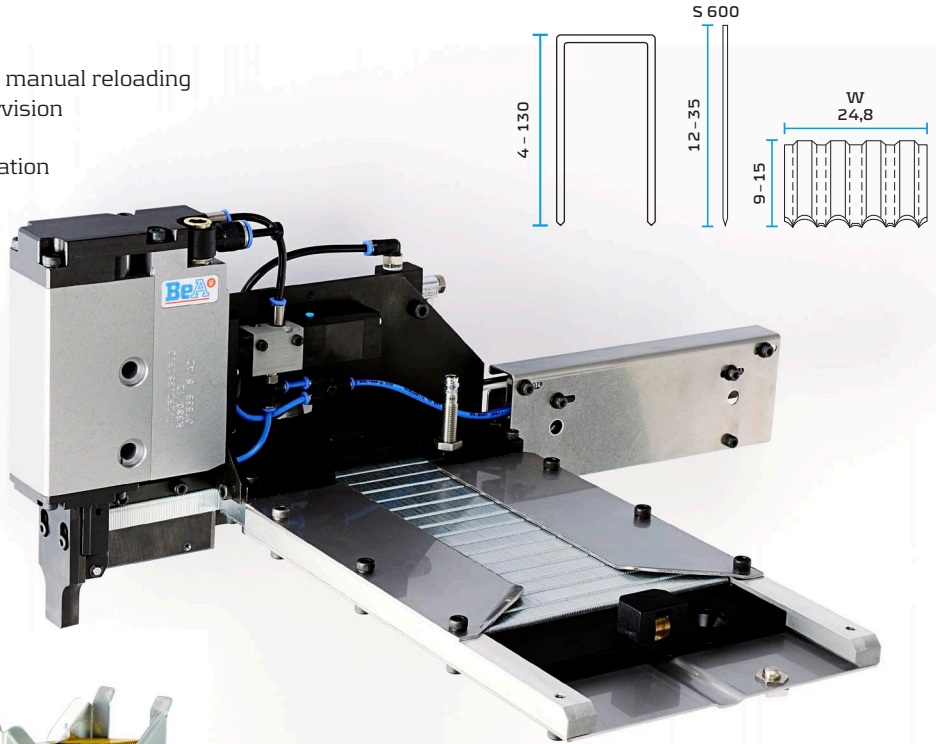
BeA modular-tool side-loader 232 / 242 / 262 / 282

Magazine capacity: up to 5,000 fasteners

Leg lengths: 4 - 130 mm

- High magazine capacity
- Automatic reloading - avoid cost intensive manual reloading
- Electronic placement and magazine-supervision
- Frequency up to 10 cycles per second
- Multiple mounting options facilitate installation

Applications: prefabricated houses, furniture, packaging, pallets and crates



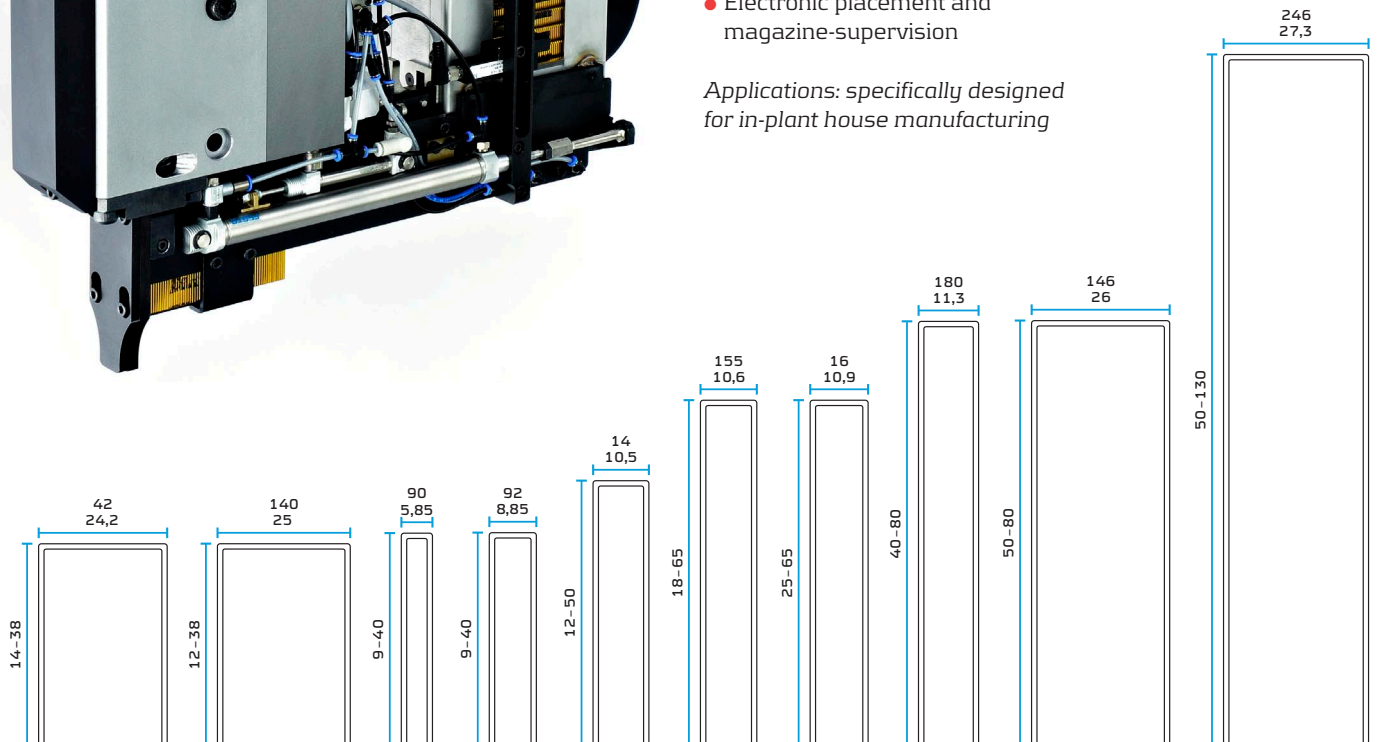
BeA modular-tool with changeover cassette 264 / 284

Magazine capacity: up to 2,300 staples

Leg lengths: 25 - 80 mm

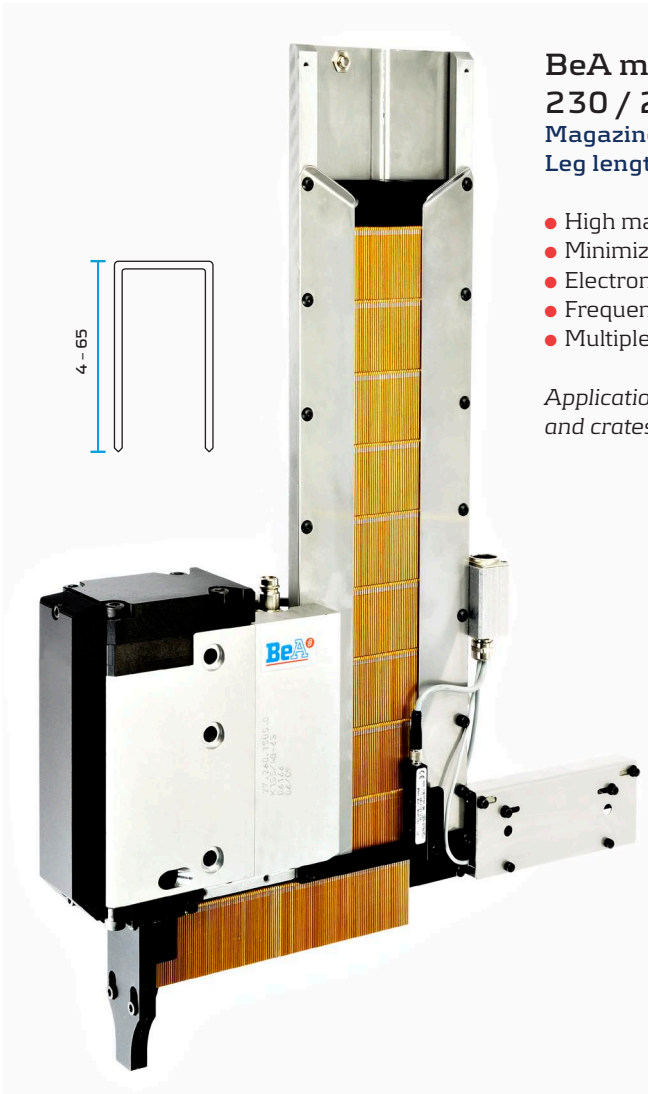
- Compact design
- High-speed reloading
- Low maintenance
- Long operating life
- Frequency up to 10 cycles per second
- Electronic placement and magazine-supervision

Applications: specifically designed for in-plant house manufacturing



BeA Automated Fastening Systems – highlights

- 1989 first self-reloading modular tool
- 1999 first self-reloading tool with changeover cassette
- 2003 first self-reloading tool for wide-crown staples
- More than 10,000 self-reloading tools – globally the #1

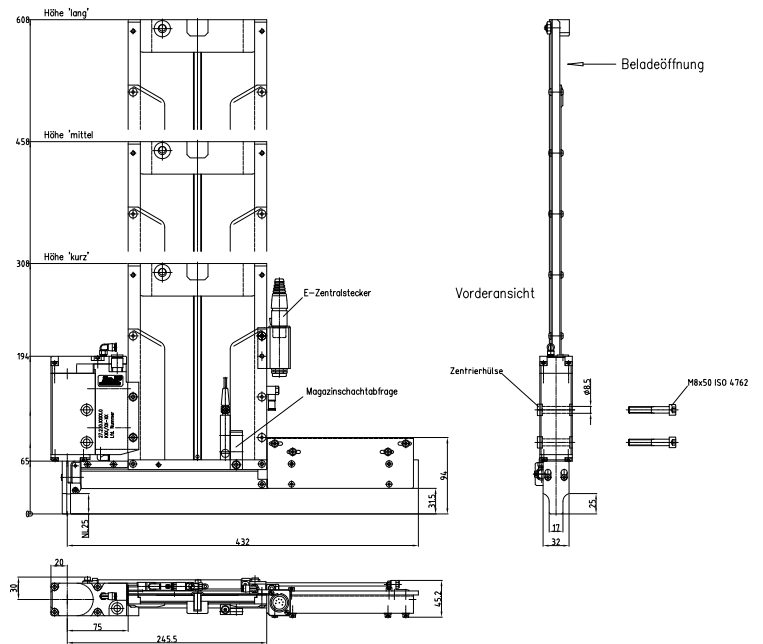


BeA modular-tool top-loader 230 / 240 / 260 / 280

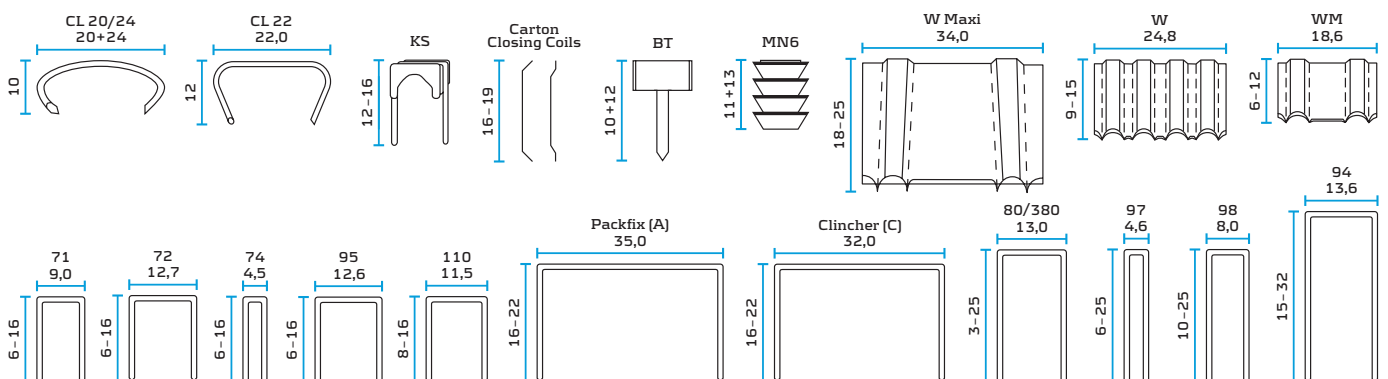
Magazine capacity: up to 10,000 fasteners
Leg lengths: 4 – 65 mm

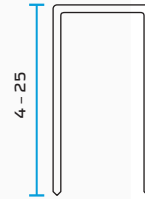
- High magazine capacity
- Minimize cost intensive reloading
- Electronic placement and magazine-supervision
- Frequency up to 10 cycles per second
- Multiple mounting options facilitate installation

Applications: prefabricated houses, furniture, packaging, pallets and crates



BeA Automated Fastening Systems offers a comprehensive line of products, systems and solutions – customized to your manufacturing requirements. Popular applications include furniture, modular and prefabricated houses, packaging, wood to wood and automobile components.





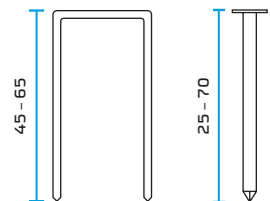
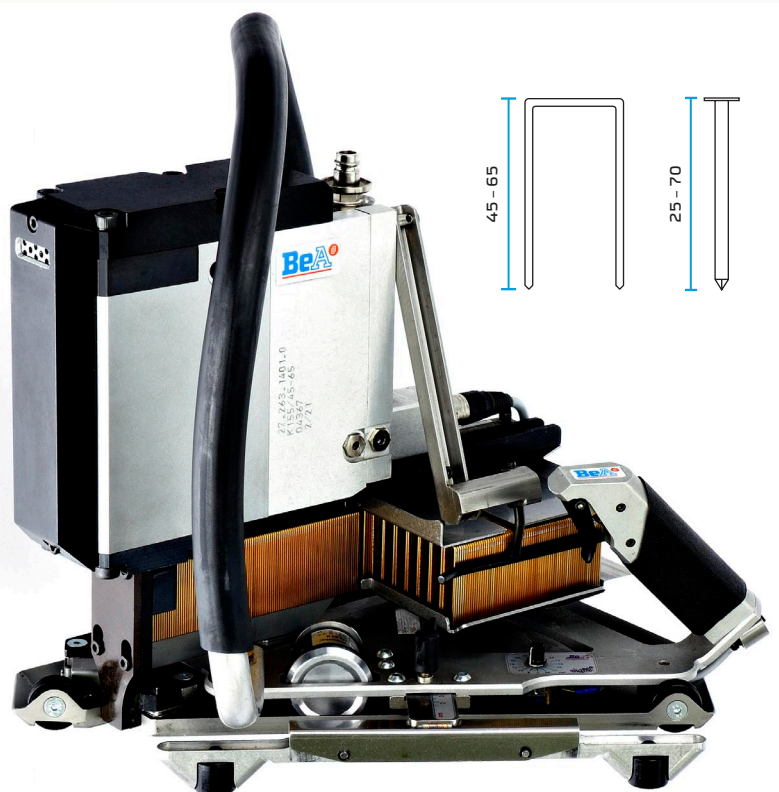
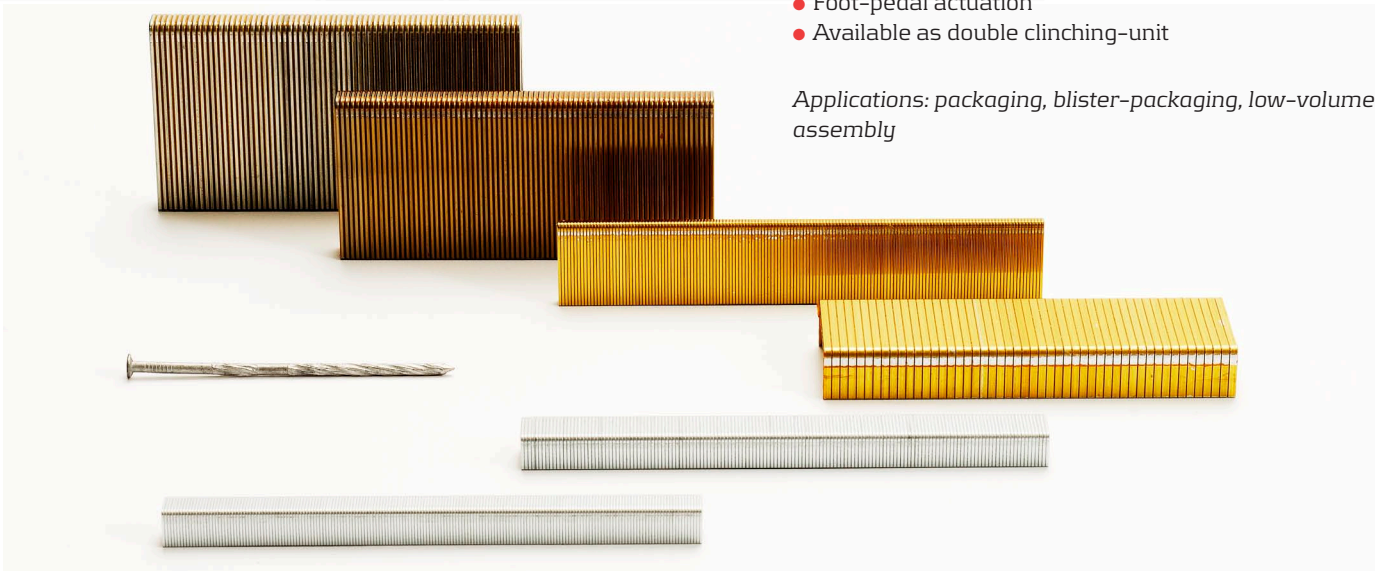
BeA modular-tool long-magazine clinching-unit

Magazine capacity: 300 - 500 staples
Leg lengths: 4 - 25 mm

Stationary unit, available in automatic or foot-pedal actuation
Hands-free operation facilitates proper feeding and alignment

- Contact actuation
- Foot-pedal actuation
- Available as double clinching-unit

Applications: packaging, blister-packaging, low-volume assembly



BeA modular-tool Skater

Magazine capacity: up to 500 staples
Leg lengths: 45 - 65 mm or
Magazine capacity: up to 1,100 coil nails
Leg lengths: 25 - 70 mm

- High magazine capacity
- Automatic feeding of staples and nails
- Electronic placement and magazine-supervision
- Adjustable fastening distance, frequency up to 10 cycles per second

Applications: industrial production, building components



BeA robot - nailer with reloading station

For staples, corrugated fasteners and pins

Incorporates fully-automated production processes by being mounted on either multi-axis robots or X/Y/Z linear units.

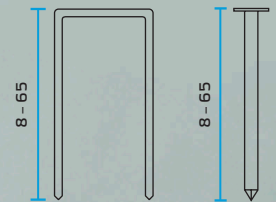
- Small dimensions and low weight (4.5 lbs.) accommodate easy handling and high process speeds. The automatic reloading feature minimizes the tool's weight by carrying only the necessary amount of fasteners per cycle.
- Placement and stapling possible in any position and orientation
- Very high capacity of the stationary reloading unit (up to 30,000).

Applications: Furniture industry, automotive, molds for sand-casting, specialty crate manufacturing



BeA robot reloading system
Magazine capacity up to 30,000 fasteners in lengths ranging from 8 - 65 mm

Please request additional information for specific fasteners.



BeA Automated Fastening Systems - reaching beyond standard-solutions

BeA Automated Fastening Systems

The BeA modular system offers the following benefits:

- Rugged yet precision-manufactured German made equipment guarantees performance reliability
- Automated staple signal input, either 24V DC or pneumatic
- Individual energy adjustment of the stapler head to the specific application

- Wide array of accessories, including electronic placement and magazine supervision, edge guides, rollers, etc.
- BeA Automated Fastening Systems reduce your manufacturing cost through:
 - Customized design
 - Installation into new or existing equipment
 - Availability of customized components and accessories for tool mounting, and fastener application

 made in Germany



Joh. Friedrich Behrens AG
Industrial Fastening Systems
Bogenstraße 43 - 45
22926 Ahrensburg
Germany

Further information:
Phone: +49 (0) 41 02 78 - 0
Fax: +49 (0) 41 02 78 - 250
Email: info@bea-group.com
www.bea-group.com

BeA offers a comprehensive line of products, systems, solutions and services – globally for the automation technology

References:

axelius
automation

EFTEX
ZUBEHÖRTECHNIK GMBH
RapidClip[®]

LIGMATECH

Randek BauTech
House Production Technologies

WEINMANN

BeA is a member of following associations:

AFCOBOIS
Association Française des Constructeurs Bois
www.maisons-bois.org

BDF

EPAL

ISANTA
MFMFR

PFA
ASSOCIATION

STAFDA
ASSOCIATE

S

□

VHD
Verband Holzfaser Dämmstoffe



BeA modular-tool strip-nailer

Magazine capacity: up to 140 nails
Leg lengths: 50 - 100 mm



- Adjustable magazine capacity
- Electronic placement and magazine-supervision
- Low maintenance
- Long operating life

Applications: prefabricated houses, furniture frames, pallets and crates

ROUND-HEAD NAILS

Nails	Magazine capacity	Frequency/sec.	Air consumption
Ø 2.8 - 4.1 50 - 100 mm	120 nails	max 6/sec.	3.5 - 4 ltrs at 6 bar

D- HEAD NAILS

Nails	Magazine capacity	Frequency/sec.	Air consumption
Ø 2.9 - 3.4 50 - 100 mm	160 nails	max 6/sec.	3.5 - 4 ltrs at 6 bar

BeA modular-tool for jumbo coils

Magazine capacity: up to 3,000 nails
Plastic and wire-collated
Leg lengths: 45 - 90 mm

- High magazine capacity
- Electronic placement and magazine-supervision
- Accurate nail placement
- Low maintenance
- Long operating life

Applications: prefabricated houses, furniture frames, pallets and crates



WIRE WELD NAILS

Nails	Magazine capacity	Frequency/sec.	Air consumption
45 - 90 mm	1 jumbo coil 750 - 3,000 nails	max 6/sec.	2.5 - 4 ltrs at 6 bar

TAPE COLLATED NAILS

Nails	Magazine capacity	Frequency/sec.	Air consumption
45 - 90 mm	1 jumbo coil 750 - 3,000 nails	max 6/sec.	2.5 - 4 ltrs at 6 bar

Overview of all BeA fasteners:

